

Master Threading Techniques: A Comprehensive Guide to Serger and Overlock Machines

Welcome to the definitive guide for threading both serger and overlock sewing machines with precision and ease. Whether you're a seasoned pro or a beginner who's eager to explore the world of serging and overlocking, this comprehensive resource will empower you with the knowledge and techniques to elevate your sewing skills and unlock endless creative possibilities.



How To Thread A Serger Or Overlock Sewing Machine: Tutorial Book: Overlocker Machine

★★★★★ 5 out of 5

Language : English
File size : 33760 KB
Text-to-Speech : Enabled
Screen Reader : Supported
Enhanced typesetting : Enabled
Print length : 441 pages
Lending : Enabled



Understanding Sergers and Overlock Machines

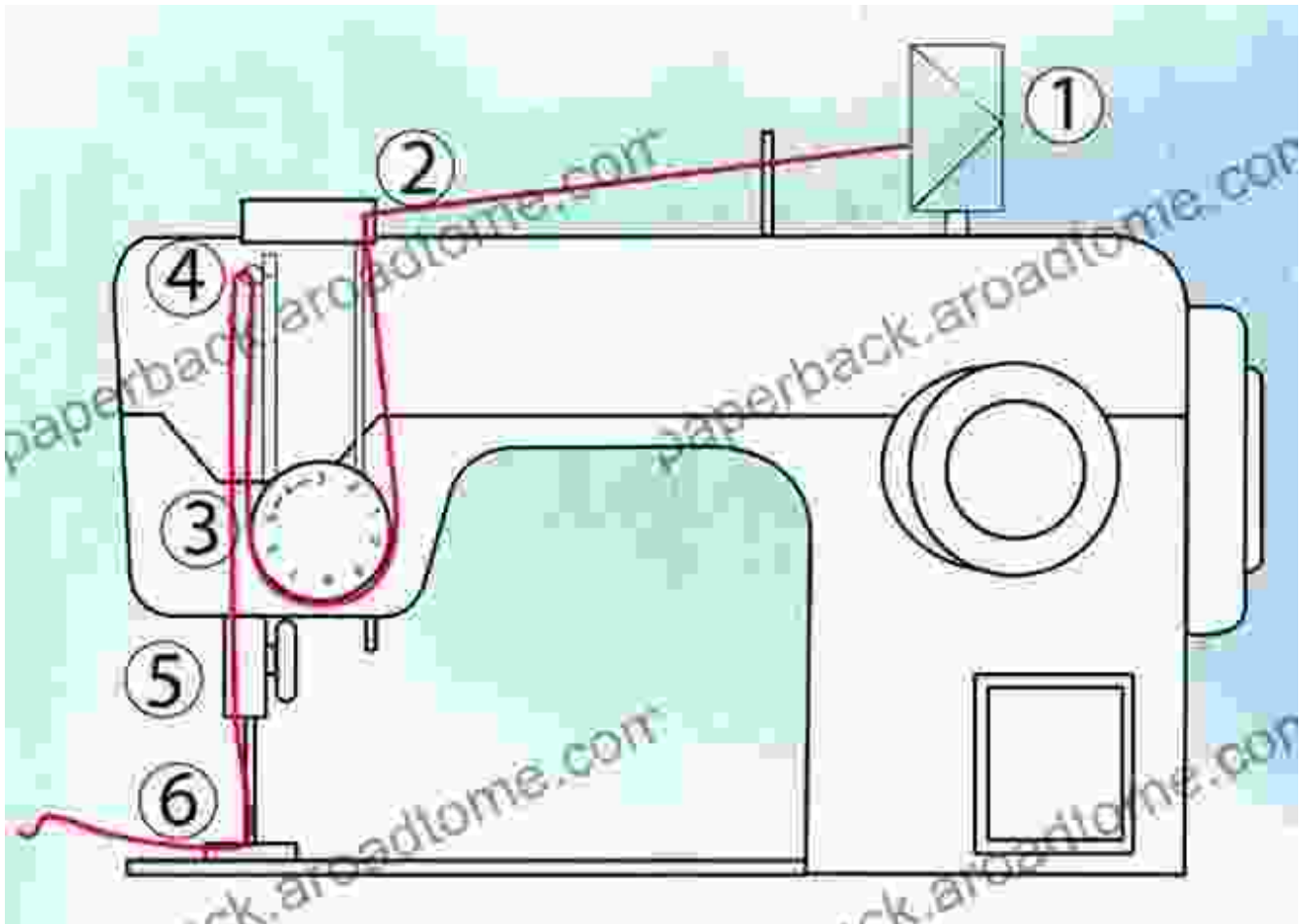
Before embarking on our threading journey, let's clarify the difference between sergers and overlock machines. Both are specialized sewing machines that produce a professional-quality finish on fabric edges, but they have distinct features and applications:

- **Sergers:** Typically used for finishing woven fabrics, sergers cut, trim, and sew in a single step, creating a clean and durable edge that resists fraying. They also feature multiple needles and loopers, allowing for decorative stitch options.
- **Overlock Machines:** Ideal for knit fabrics, overlock machines interlock threads to create a flexible and stretchy seam that prevents unraveling. They typically have two needles and one or two loopers.

Step-by-Step Threading Instructions

Now that we have a solid understanding of these specialized machines, let's dive into the step-by-step threading process for both sergers and overlockers.

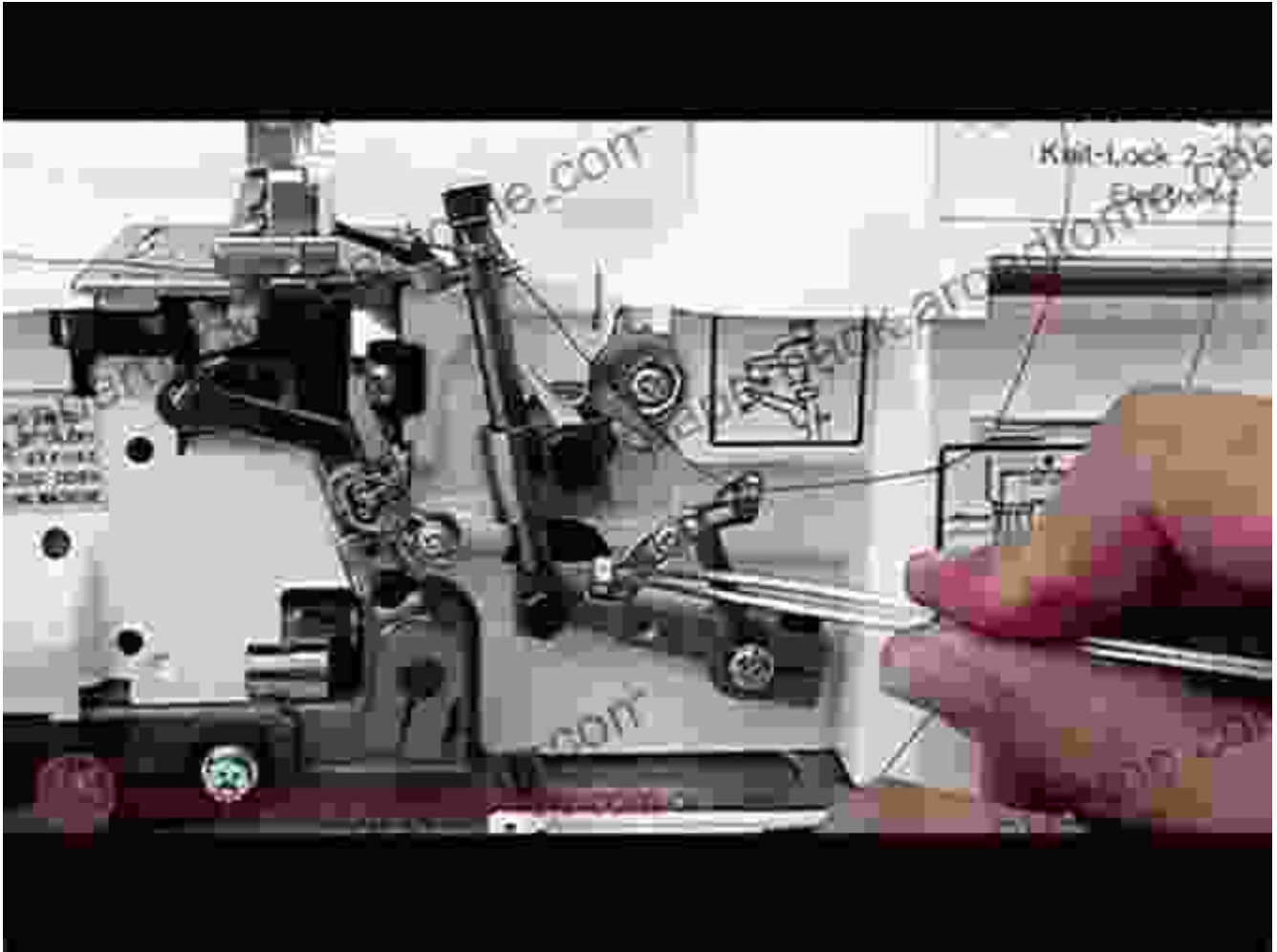
Threading a Serger



1. **Insert the needles:** Insert the needles into the needle holders, making sure the flat side faces the back of the machine.
2. **Thread the upper loopers:** Guide the thread through the upper loopers, starting from the right-hand side. Follow the thread path indicated on the machine.
3. **Thread the lower loopers:** Repeat the process for the lower loopers, starting from the left-hand side.
4. **Tension the threads:** Adjust the tension dials to achieve balanced thread tension. The stitches should be secure but not too tight or loose.

5. **Chain the threads together:** Start the machine on a scrap fabric and chain the threads together at the starting edge.

Threading an Overlock Machine



1. **Insert the needles:** Follow the same steps as for sergers.
2. **Thread the lower looper:** Guide the thread through the lower looper, starting from the left-hand side.
3. **Thread the upper looper:** Repeat the process for the upper looper, starting from the right-hand side.

4. **Tension the threads:** Adjust the tension dials for balanced thread tension.
5. **Chain the threads together:** As with sergers, start the machine on a scrap fabric and chain the threads together at the starting edge.

Troubleshooting Tips

Threading sergers and overlock machines can sometimes present challenges. Here are a few common issues and their solutions:

- **Broken needles:** Ensure the needles are inserted correctly and are not bent or damaged.
- **Thread breaks:** Check the tension settings and make sure the thread path is clear of obstructions.
- **Uneven stitches:** Adjust the tension dials until the stitches are balanced and secure.
- **Skipped stitches:** Replace the needles and check the thread quality.
- **Puckering:** Adjust the differential feed setting to prevent the fabric from stretching unevenly.

Unlock Your Sewing Potential

Mastering the art of threading serger and overlock machines is a fundamental skill for any sewist. This comprehensive guide provides you with the knowledge, techniques, and troubleshooting tips to tackle any threading challenge confidently. Embrace the possibilities and elevate your sewing projects to a whole new level of precision and finesse.

Ready to dive deeper into the world of sergers and overlockers?

Visit our online courses and tutorials for expert guidance and step-by-step instructions on serging and overlocking techniques.

Additional Tips for Success

- Use high-quality thread specifically designed for sergers or overlock machines.
- Practice threading on a scrap fabric before working on your actual project.
- Refer to the machine's manual for specific threading instructions and troubleshooting advice.
- Don't be afraid to experiment with different thread colors and combinations to create decorative effects.
- Regularly clean and maintain your serger or overlock machine to ensure optimal performance.

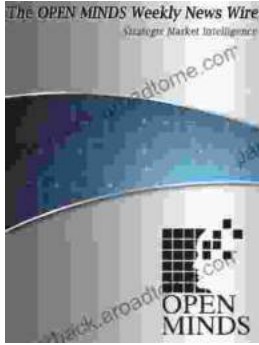


How To Thread A Serger Or Overlock Sewing Machine: Tutorial Book: Overlocker Machine

★★★★★ 5 out of 5

Language : English
File size : 33760 KB
Text-to-Speech : Enabled
Screen Reader : Supported
Enhanced typesetting : Enabled
Print length : 441 pages
Lending : Enabled





Wisconsin Clinic Pilots Mobile Crisis Response System For Consumers With Mental Health Conditions

MADISON, Wis. - A new mobile crisis response system is being piloted in Wisconsin to help consumers with mental health conditions. The system, which is being led by...



Unleash Your Creativity: A Masterclass in Fabulous Nail Decorating Ideas

Embellish Your Fingertips with Captivating Designs and Techniques Get ready to elevate your nail art game to new heights with "Fabulous Nail Decorating Ideas," a...